

TEMBER

CS系列条形熔断器式隔离开关



2020年 第一版 中国印刷 本手册最终解释权归厂家所有。

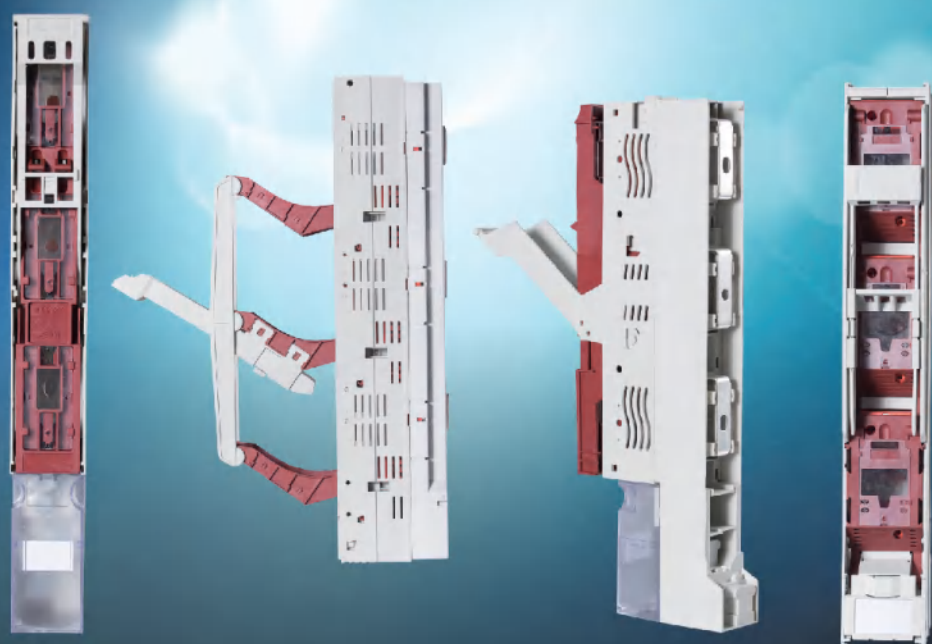
TEMBER

天铂电气（常州）有限公司
地址：江苏省常州市武进高新区龙庆路26号
Tember Electrical (Changzhou) Co.,Ltd.
No.26 Longqing Road,Wujin Gaoxin District,
Changzhou,China
Phone:0519-89620090/0092/0093
Fax:0519-81161300/1301
<http://www.temberpower.com>
E-mail:marketing@temperpower.com

Distributor:



TEMBER LINE CHINA



CS系列条形熔断器式隔离开关 Strip series isolating switch fuse type

Scope of Application 适用范围

CS series bar fuse switch disconnecter is applicable to bus systems of AC 50/60Hz, rated voltage 690V, rated current up to 630A, 100mm or 185mm, and is used for overload and short circuit protection of circuits.

CS series bar fuse switch disconnecter is also widely applied to box substations and cable branch boxes.

CS series bar fuse base meets the standards of GB13539.2, GB14048.3, IEC60269.2 and IEC60947.3.

CS系列条形熔断器式隔离开关适用于交流50(60)Hz, 额定电压为690V, 额定电流至630A, 100mm或185mm母线系统。作为电路的过载及短路保护之用。

CS系列条形熔断器同时广泛应用于箱变、电缆分支箱。

CS系列条形熔断器座符合GB13539.2, GB14048.3、IEC60269.2、IEC60947.3标准。

Structure Characteristics 结构特点

CS series bar fuse switch disconnecter is a tripolar bar fuse base used to be installed on the bus track. It integrates three longitudinally arranged monopolar fuse bases, with a contact (feed contact) of each phase connected to another phase, and other contacts (output contact) equipped with wire connection device.

The carrier of live parts of CS series bar fuse base is made of solid glass fiber reinforced polyester. The silver-plated fuse contacts and tinned lead plate connect together to ensure little energy consumption, high received power and low temperature rise.

CS series bar fuse base is subject to screw fixing installation and hook fixing installation. For hook fixing installation, bus bars need no punching, making the installation more convenient, flexible and reliable.

CS系列条形熔断器隔离开关是用于安装在总线轨道上的3极条形熔断器座。它将3只纵向排列的单极熔断器座融为一体, 每相的一个触点(馈电触点)与一个相联接, 其它触点(输出端触点)配装导线联接装置。

CS系列条形熔断器座带电部件的载体, 由坚固的玻璃纤维加强聚酯材料制成。镀银的熔断器触点与镀锡的引线板一起, 确保产品的能耗小; 接受功率大; 温升低。

CS系列条形熔断器座的安装方式分螺丝固定安装和挂钩固定安装两种。挂钩固定安装, 母线排无需冲孔, 使安装更方便、灵活、可靠。

Model Definition 型号定义



Product Specification 产品规格

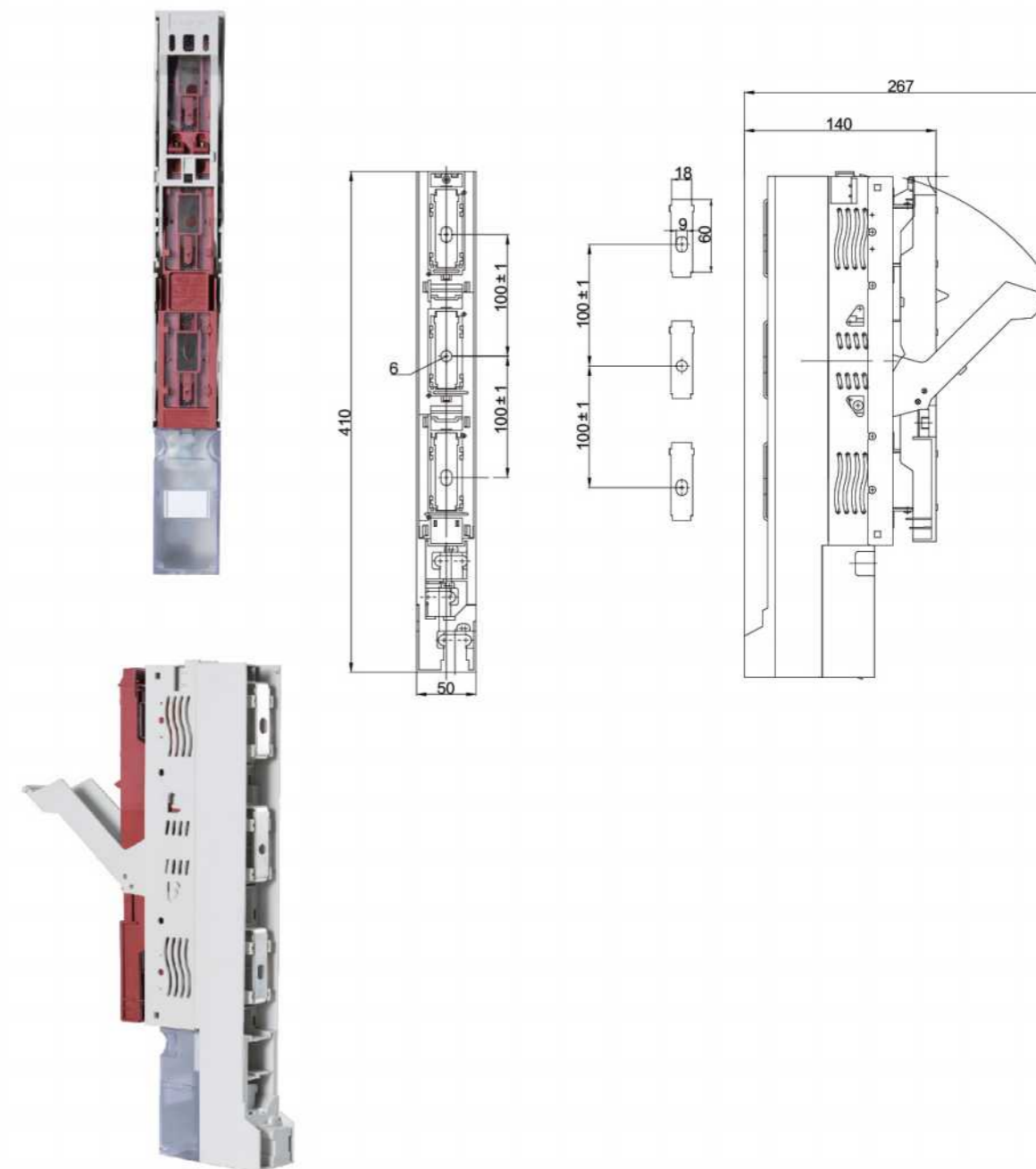
Model & Specification 型号规格	Busbar System 母线系统	Fuse-link 配用熔断体
CS00-33	100 (注)	RT16-00
CS ₁ -33	185	RT16-1
CS ₂ -33	185	RT16-2
CS ₃ -33	185	RT16-3

注：通过转接器亦可用185母线系统

Technical Parameters 技术参数

类型		CS00-33	CS ₁ -33	CS ₂ -33	CS ₃ -33
电气参数	设计工作电压 (U)	AC690			
	设计工作电流 (A)	160	250	400	630
	设计频率 (Hz)	50/60			
	设计绝缘电压 (U _i)	1000V			
	额定限制短路电流 (kA)	5			
	使用等级	AC-22B			
熔断器	尺码符合	GB13539.2, IEC60269.2			
	耗散功率 (W)	12	34	45	60
机构参数	机械寿命 (次)	1700	1400		
	母线系统 (mm)	100	185		
电缆连接	扁平接线 (螺栓直径)	M8	M12		
	接线夹接线 (截面mm ²)	35-95Al/Cu	25-150/185-300		
	电缆截面 (mm ²)	95	120	240	2×185
工作条件	环境温度°C	- 25~+55			
	设计工作方式	连续工作			
	操作方式	手柄操作			
	装入方式	水平、垂直			
	高度	2000m以下			
	污染等级	3			

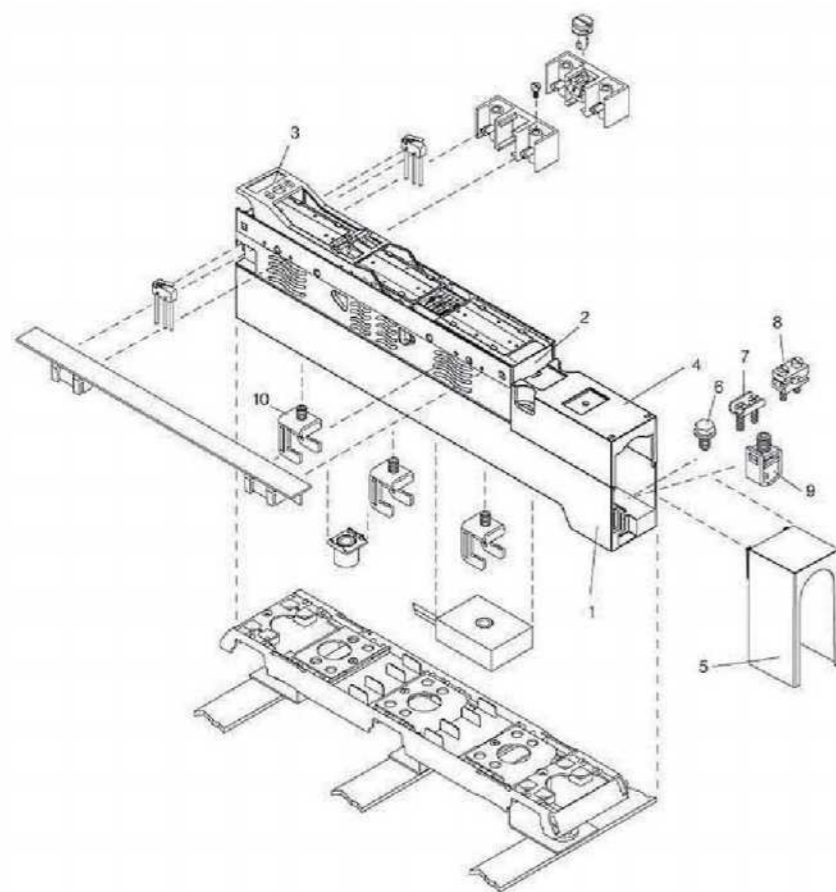
Overall Dimension 外形尺寸



CS00-33K/M 160A尺寸

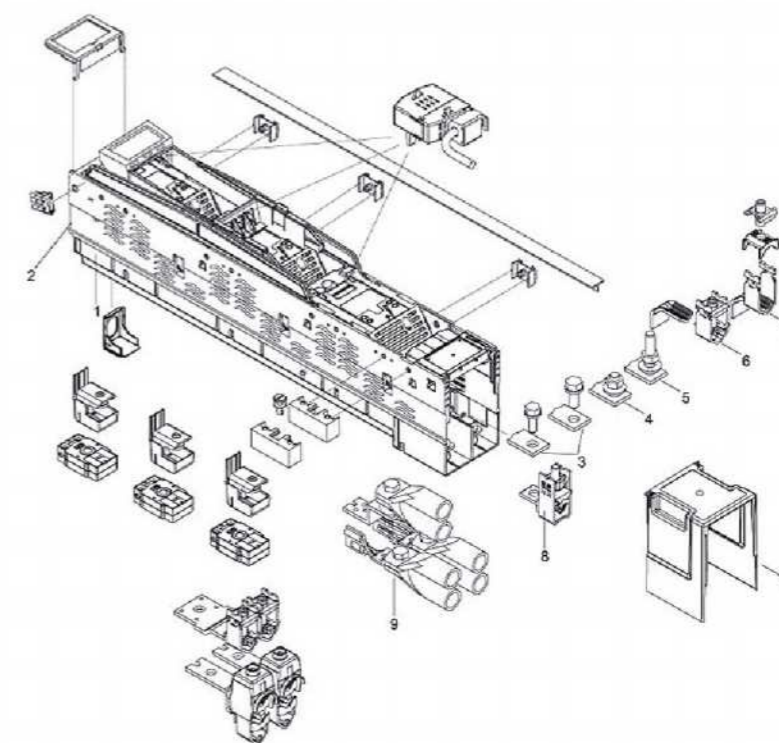
Structure Diagram 结构图

CS00-33/100m



- | | |
|-------------------------------|--|
| 1. Switch bar pedestal | 6. Flat connecting screw |
| 2. Switch bar upper part | 7. Bracelet connecting clamp connection |
| 3. Operating handle | 8. Prismatic connecting clamp connection |
| 4. Terminal cover | 9. V-shaped connecting clamp connection |
| 5. Connection elongation hood | 10. Bus track connection hook |
| 1. 开关条底座 | 6. 扁形连接螺丝 |
| 2. 开关条上部 | 7. 镯形连接夹连接 |
| 3. 操作手柄 | 8. 棱形接线夹连接 |
| 4. 接线端罩 | 9. V形连接夹接线 |
| 5. 接线延长罩 | 10. 总线轨道接线挂钩 |

CS1-33/185mm
CS2-33/185mm
CS3-33/185mm



- | | |
|--------------------------|--|
| 1. Switch bar pedestal | 6. Combined frame connecting clamp |
| 2. Switch bar upper part | 7. Combined frame connecting clamp |
| 3. Screw connection | 8. Optional direct connecting clamp |
| 4. Screw rod connection | 9. Composite member connecting 2 cable joint sleeves |
| 5. Screw rod connection | 10. Junction chamber cover |
| 1. 开关条底座 | 6. 复框形接线夹 |
| 2. 开关条上部 | 7. 复框形接线夹 |
| 3. 螺钉连接 | 8. 可后续配备的直接接线夹 |
| 4. 螺杆连接 | 9. 接连2个电缆接头套筒的组件 |
| 5. 螺杆连接 | 10. 连接室罩 |